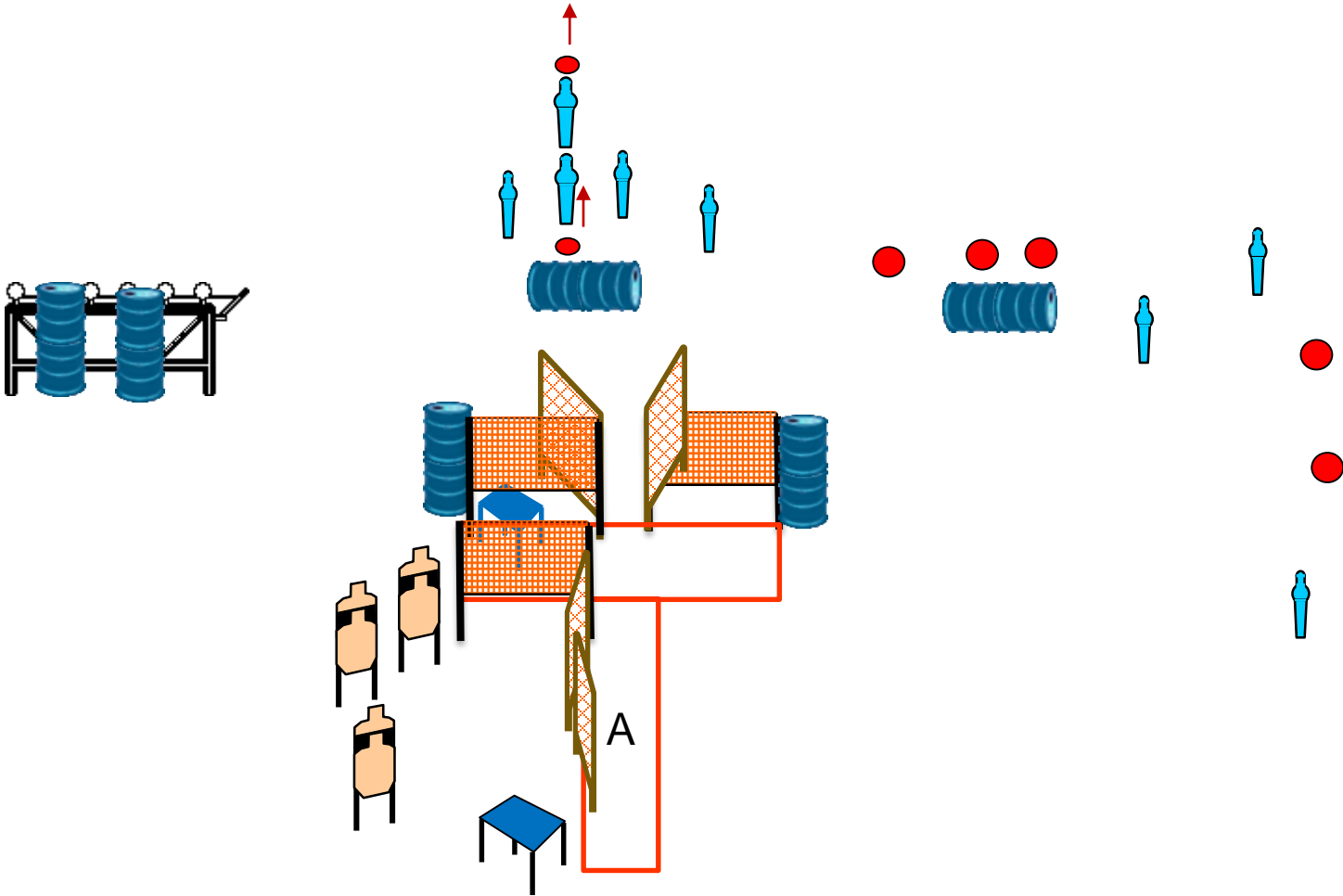


Yuma MatchMaster Bub
Stage:SB dub

Course Designer: B Williamson

START POSITION: Standing in Box A

STAGE PROCEDURE:
Rifle/Pistol/shotgun
PCC

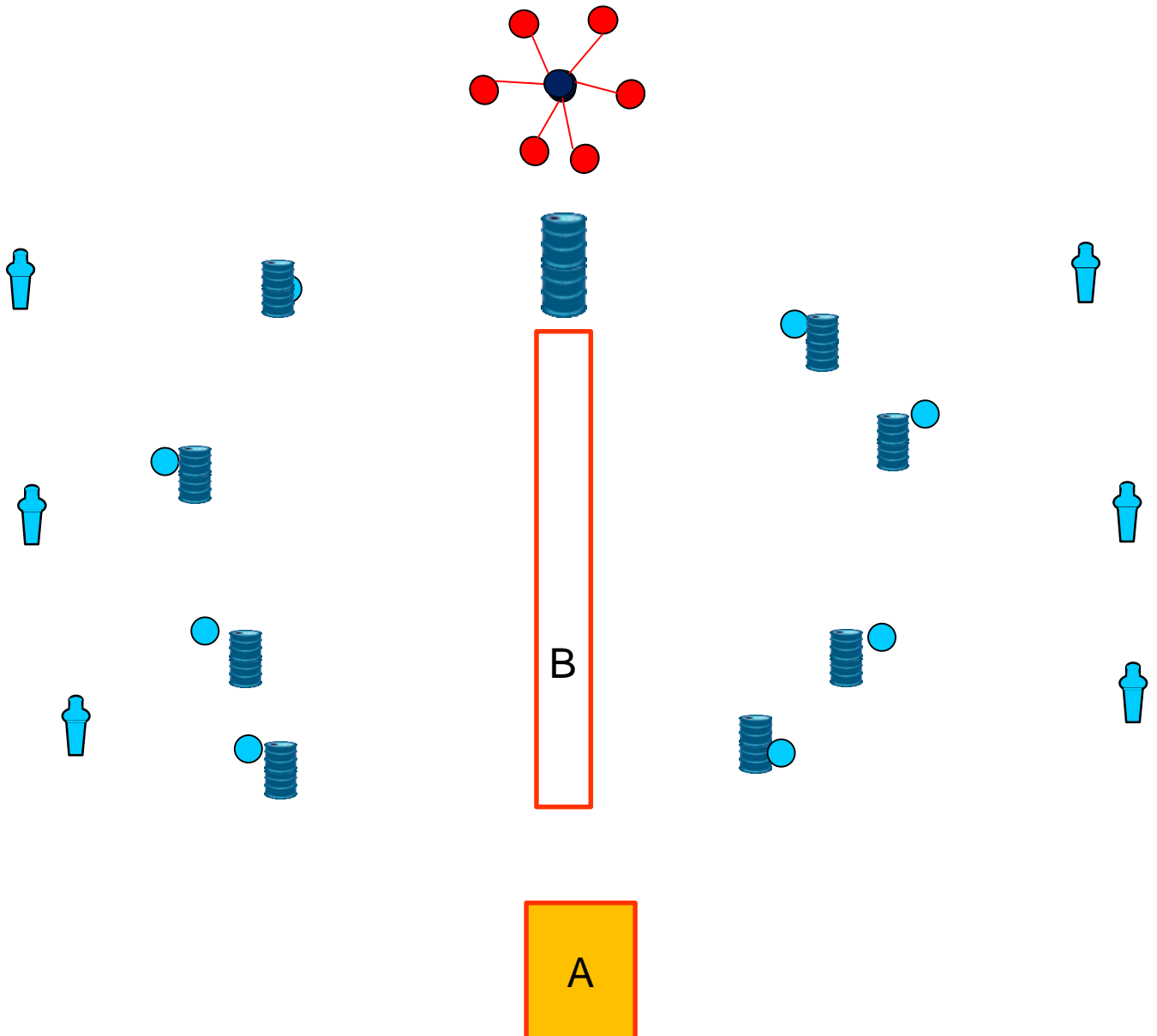


Yuma MatchMaster
Stage: New Year hop
Course Designer: B Williamson

START POSITION: Box A Shotgun loaded, PCC loaded and buttstock on belt.

20 RDS

STAGE PROCEDURE:
At Signal engage Shotgun or PCC targets



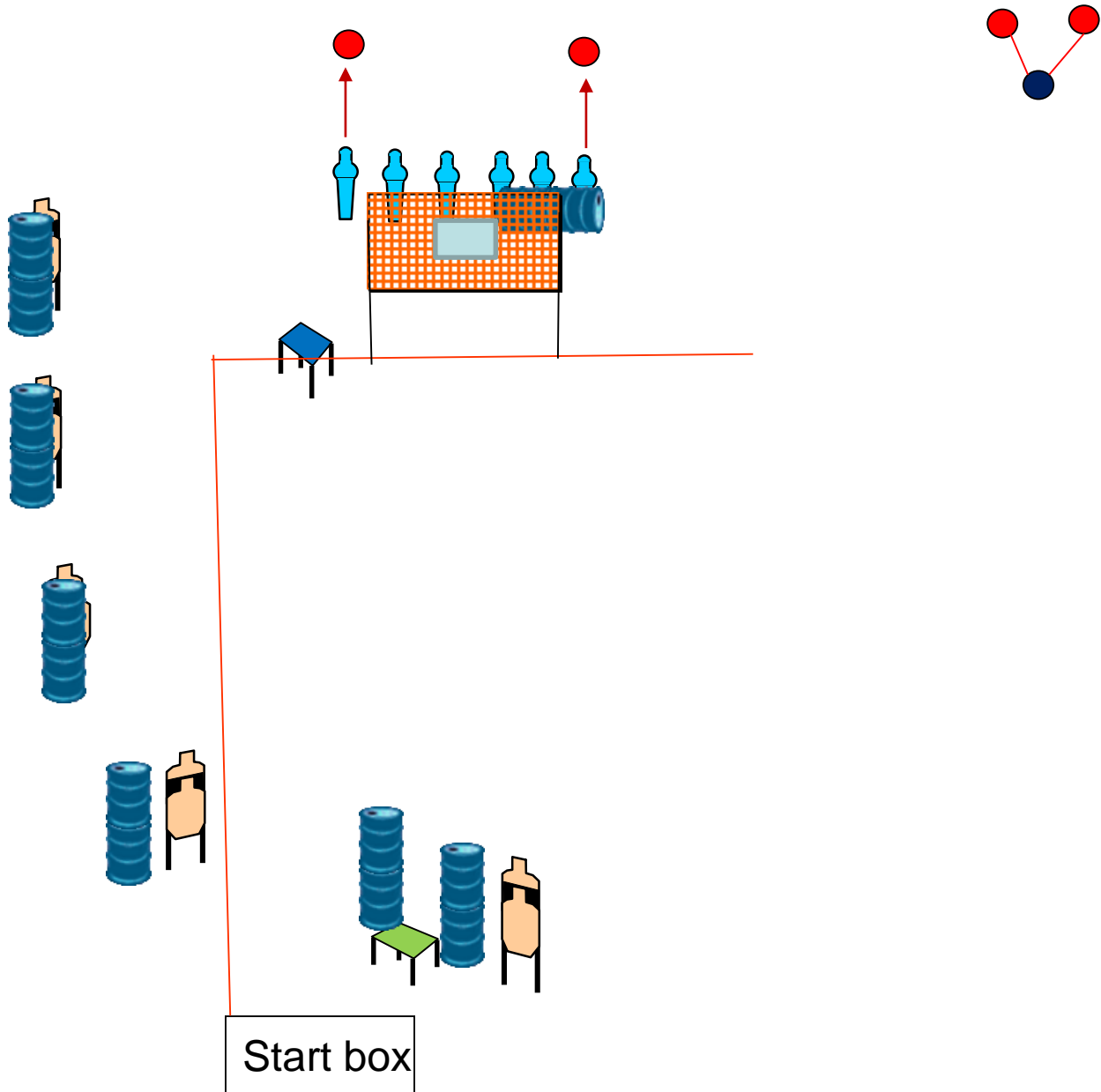
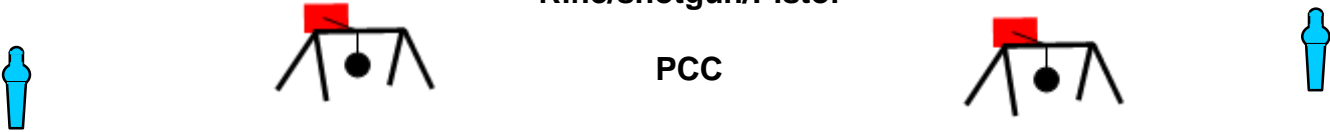
Yuma MatchMaster Bclub
Stage: Stage 14
Course Designer: B Williamson

START POSITION: Standing in Start box

STAGE PROCEDURE: On Signal from Box A engage Targets

Rifle/shotgun/Pistol

PCC



Yuma MatchMaster Bdub
Stage: Stage 17
Course Designer: B Williamson

START POSITION: Standing in Start box

STAGE PROCEDURE: On Signal from Start box engage

**Rifle/shotgun/Pistol
PCC**

